

POLO X EVOLUTION

IP65 PLUG & PLAY BULKHEAD

POLO X Evolution is the new, improved version of the popular POLO X range from Red Arrow. Featuring increased efficacy, selectable power and CCT, plug and play 3hr self emergency and Microwave sensor with corridor function all housed within the popular POLO X design.



Features

- White IP65 Body
- Efficacy of 125lm/w
- Plug & Play 3hr Emergency & MSCF
- Selectable Power & CCT

Specification

Code	Description	Lumen Output	Emergency Lumen Output	Wattage	Efficacy
POLX15EVO-CCT	Polo X EVO Bulkhead White 9-15W 3CCT 3/4/6K	1050 - 1875 lm	270 lm	9/11/13/15W Selectable	125 lm/W

Product Information

Warranty	5 Years
On-Site Warranty	2 Years
Colour Appearance (CCT)	3000K/4000K/6000K Selectable
IP Rating	IP65
IK Rating	IK08
Voltage	220-240V

Colour Finish	RAL9003
LED Life Expectancy	50,000 Hrs
Power Factor	0.9
Frequency	50/60Hz
Driver Type	Fixed Output - Selectable Wattage
Approval	UKCA CE

Material (Body/Housing)	Polycarbonate
Material (Diffuser/Cover)	Polycarbonate
Colour Rendition (CRI)	Ra > 80

Electrical Class	Class II
Working Temperature	-20°C to 40°C

BULKHEADS **SPECIFICATION SHEET**



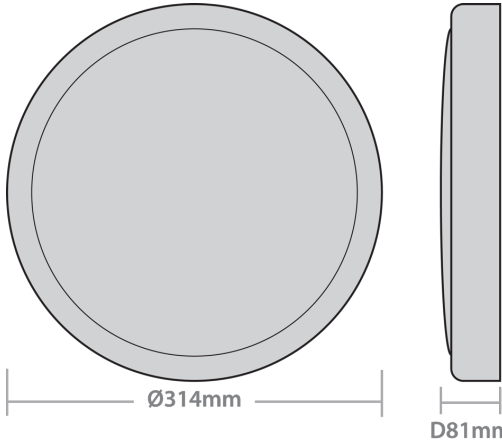
POLO X EVOLUTION

IP65 PLUG & PLAY BULKHEAD

Packaging Information

Dimensions (mm)	Ø: 314 x D: 81 mm
Product Net Weight (kg)	0.9 kg
Barcode	5055807627238
Box Dimensions (mm)	L: 335 x W: 325 x D: 90 mm

Units/Outer Carton	10
Outer Carton Barcode	15055807627235
Outer Carton Dimensions (mm)	L: 665 x W: 345 x D: 485 mm



ENERGY
Red Arrow
POLX15EVO-CCT

A
B
C
D
E
F
G

9-15 kWh/1000h

QR Code